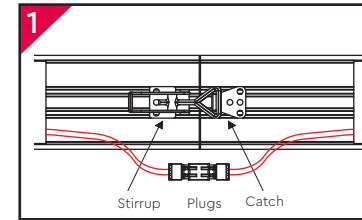
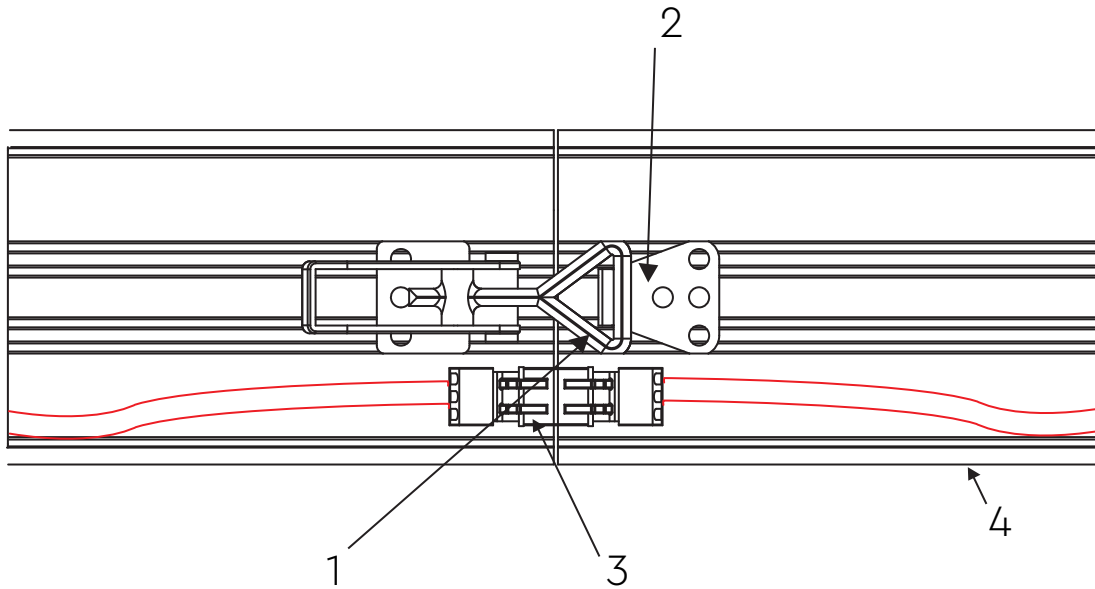
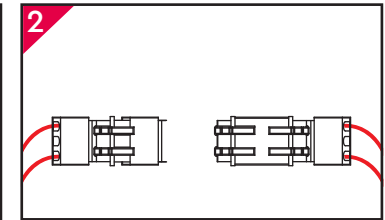


Kwik Lock - Installation Instruction

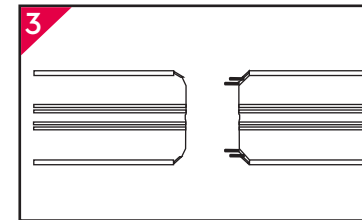
Item	Title
1	Stirrup
2	Catch
3	Plugs
4	Extrusion



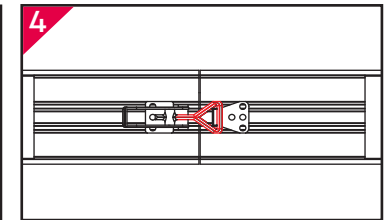
Identify the components of the Kwik Lock blind coupling system



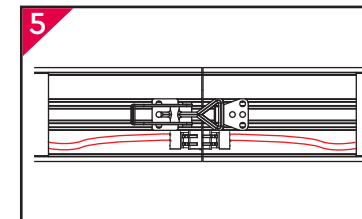
Identify polarised plugs (there maybe more depending on product)



Slide two pieces together - aligning the guide pins (if fitted)



Pull the stirrup lever upwards to clip to catch and tighten



Finally, connect all of the plugs then replace diffuser or cover

Note: Please remove all labelling and tapes as you proceed